

FOSC 600

Fiber Optic Splice Closure



The FOSC 600 C and D closures are more than just fiber optic splice closures. They are rugged and versatile platforms that can be deployed anywhere in the outside plant for a multitude of functions including the splicing of most any type and size of cable, the housing of connectorized distribution and demarcation points, and the deployment of optical passives.

The sealing system for FOSC 600 closures builds on the proven reliability of FOSC 400 and FOSC 450 closures and features the versatile and popular gel-sealing technology for terminating cables, and a unique latching system for quickly opening and closing the body.

FEATURES

- Butt or inline splice closure
- Gel-seal technology
- Hinging trays
- Large fiber capacity
- Superior fiber management
- Excellent consolidation or rehabilitation closure

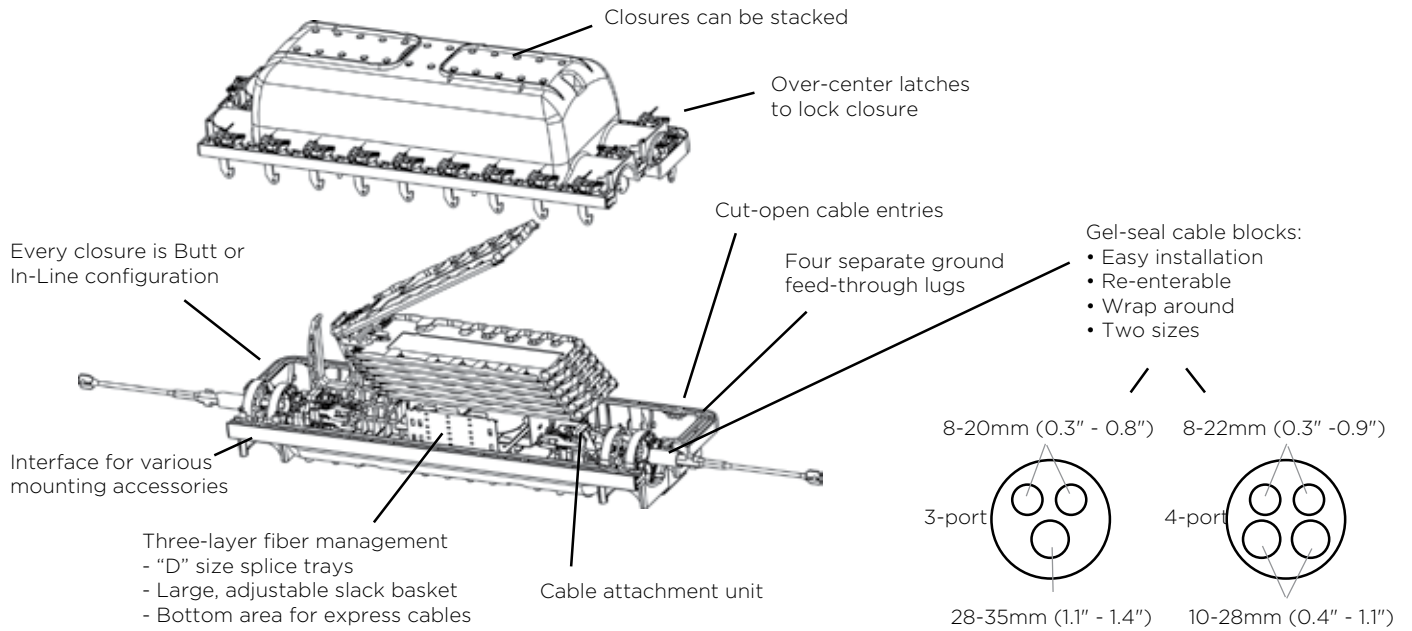
Other features include:

- Up to 16 separate cable ports
- Sized for cables up to 35mm in diameter and 1728 fibers
- Field configurable for butt or in-line splicing
- All internal parts can be removed for reconfiguration
- Both C and D closures use TE's "D" size splice trays
- Storage basket included with all closures can be extended in length or repositioned vertically depending on application
- Slack ribbon storage on the same tray as mass fusion splices is possible with use of a ribbon tray
- Backed by TE's extensive network of technical field support specialists.

FOSC 600

Fiber Optic Splice Closure

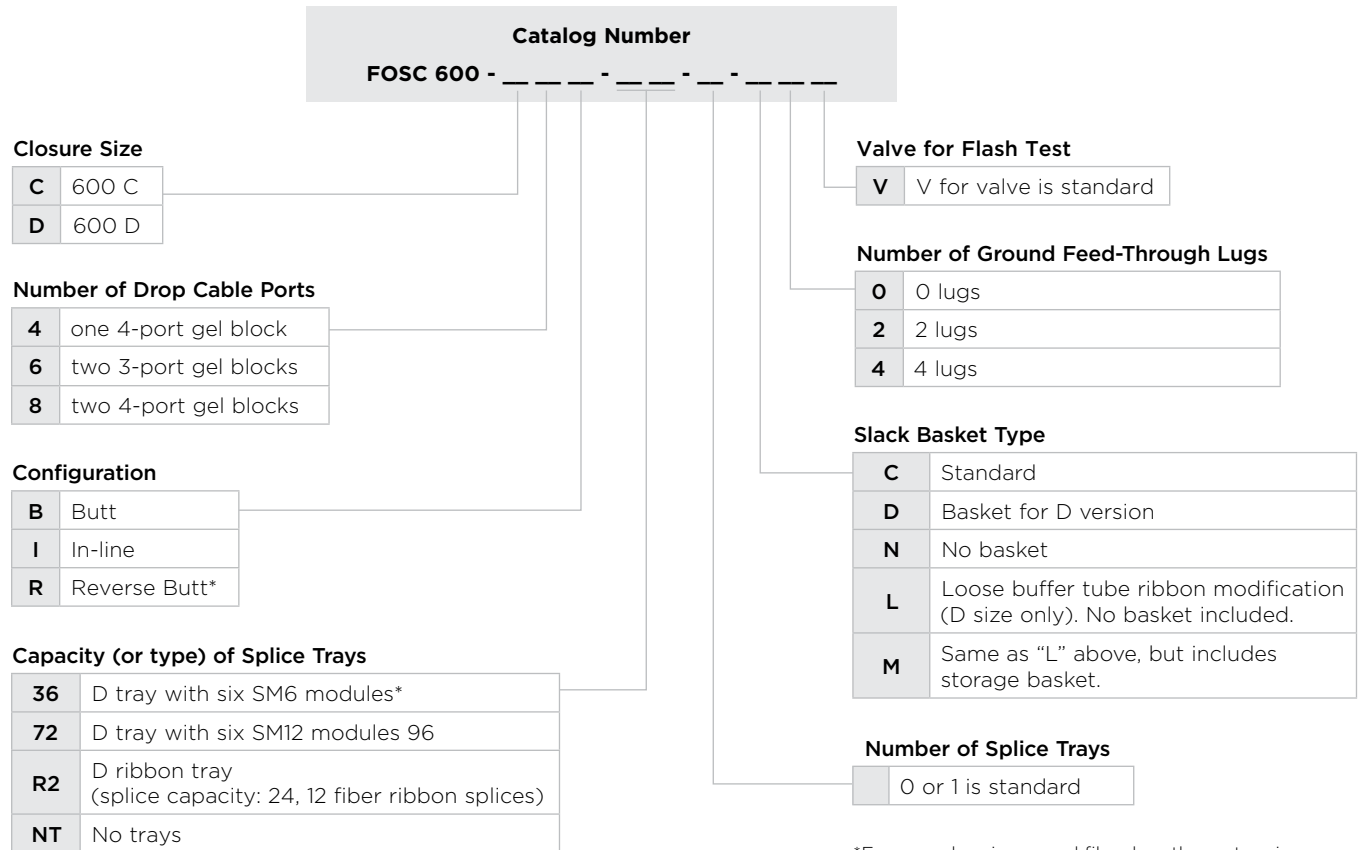
Selection Guide



FOSC 600

Fiber Optic Splice Closure

ORDERING INFORMATION



*For use when increased fiber lengths on tray is required and loose buffer tube cable reverse point is offset in main cable opening.

Closure Dimensions in inches (cm)			
	Length	Height	Width
600 C	32.6 (82.8)	6.0 (15.2)	10.8 (27.4)
600 D	32.6 (82.8)	10.0 (25.4)	10.8 (27.4)

Tray (and splice) Capacity of Closures	Capacity of Closures	
	D Splice Trays	D-Ribbon Tray ¹
600 C In-line	3 (216)	2 (576)
600 C Butt	5 (360)	3 (864)
600 D In-line	7 (504)	4 (1152)
600 D Butt	9 (648)	6 (1728) ²

¹Ribbon splice capacity is 2592 fibers based on using 6,D-36 style trays with slack storage in storage basket.
²L Basket type closures capacity is 5 D-Ribbon trays (1440 fibers).

Accessories

FOSC-ACC-D-Tray-36	D size tray with six SM6 modules
FOSC-ACC-D-Tray-72	D size tray with six SM12 modules
FOSC-ACC-D-Tray-Ribn24	D size ribbon tray (24 mass fusion splices)
FOSC600-GelSeal-3	3-port cable seal
FOSC600-GelSeal-4	4-port cable seal

DATA SHEET

Contact us:

P.O. Box 1101
Minneapolis, Minnesota
USA 55440-1101
Tel: 1-800-366-3891 x73000
1-952-917-3000
Fax: 1-952-917-3237

www.te.com/TelecomNetworks



FOSC 400, FOSC 450, FOSC 600, TE Connectivity, TE connectivity (logo), Tyco Electronics, TE (logo), are trademarks of the TE Connectivity Ltd. family of companies and its licensors.

While TE Connectivity has made every reasonable effort to ensure the accuracy of the information in this document, TE Connectivity does not guarantee that it is error-free, nor does TE Connectivity make any other representation, warranty or guarantee that the information is accurate, correct, reliable or current. TE Connectivity reserves the right to make any adjustments to the information contained herein at any time without notice. TE Connectivity expressly disclaims all implied warranties regarding the information contained herein, including, but not limited to, any implied warranties of merchantability or fitness for a particular purpose. The dimensions in this document are for reference purposes only and are subject to change without notice. Specifications are subject to change without notice. Consult TE Connectivity for the latest dimensions and design specifications.

Tyco Electronics Corporation, a TE Connectivity Ltd. Company. All Rights Reserved.

317451AE 9/13 Revision © 2013, 2008, 2005 (F382_06/08)